
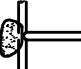



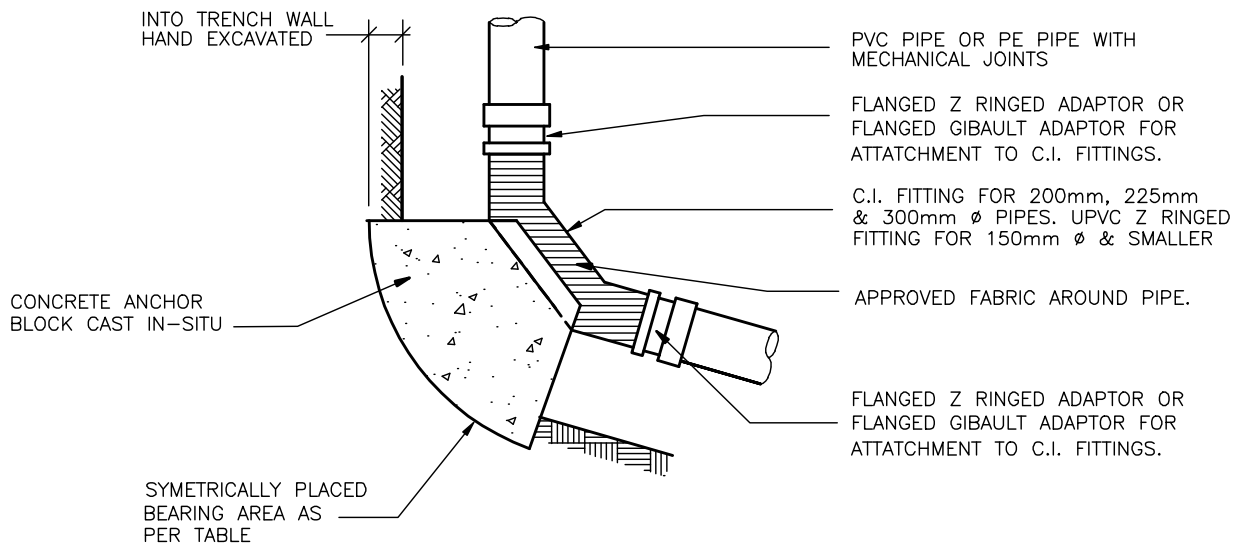


TYPE		BEARING AREA (m <sup>2</sup> ) for Pipe $\phi$			
		100 $\phi$	150 $\phi$	225 $\phi$	300 $\phi$
90° BEND		0.24	0.50	0.90	1.00
BLANK CAPS & TEE JUNCTIONS		0.24	0.50	0.90	1.00
45° BEND		0.21	0.30	0.50	0.60
22½° BEND		0.09	0.24	0.36	0.42
11½° BEND		0.09	0.18	0.30	0.36

SCHEDULE OF ANCHOR BLOCKS



DETAIL 2

TYPICAL ANCHOR BLOCK – PLAN VIEW  
N.T.S.

NOTES:

- 1) Concrete strength to be 17.5mpa @ 28 days.
- 2) a. Anchor blocks to be as shown unless otherwise directed by the Engineer.  
b. Bearing surface to be cast against natural ground.
- 3) Refer clause 6.3.8. for information regarding anchor blocks for PE pipe.