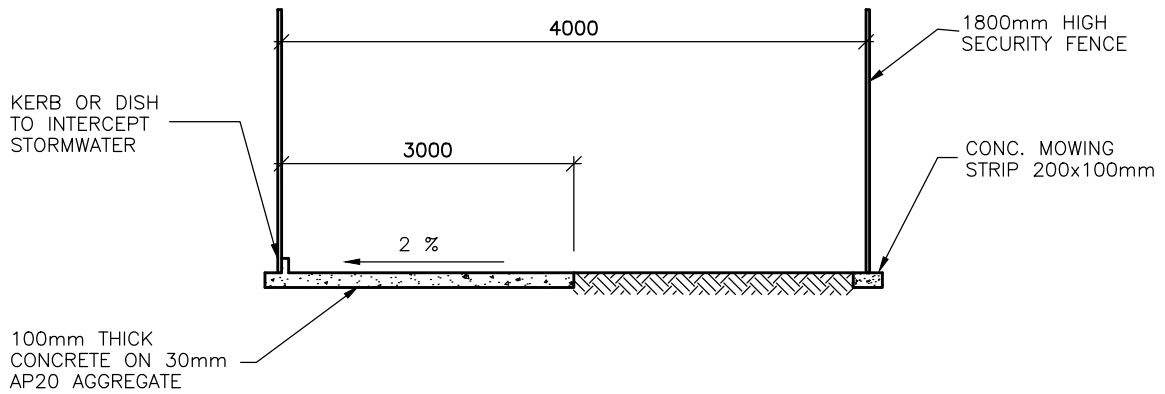


**PEDESTRIAN ACCESSWAY  
TYPICAL LAYOUT**

SCALE 1 : 250



**SECTION**

SCALE 1 : 50

**NOTES:**

1. Footpath can be moved within accessway provided stormwater is controlled.
2. Refer to dwg. SD 3.18 for fence & barrier details.

ENGINEERING  
STANDARDS MANUAL

ISSUE  
SEPTEMBER 2010

**PEDESTRIAN & CYCLIST  
ACCESSWAY  
LAYOUT**

STANDARD DETAIL

**SD 3.17**