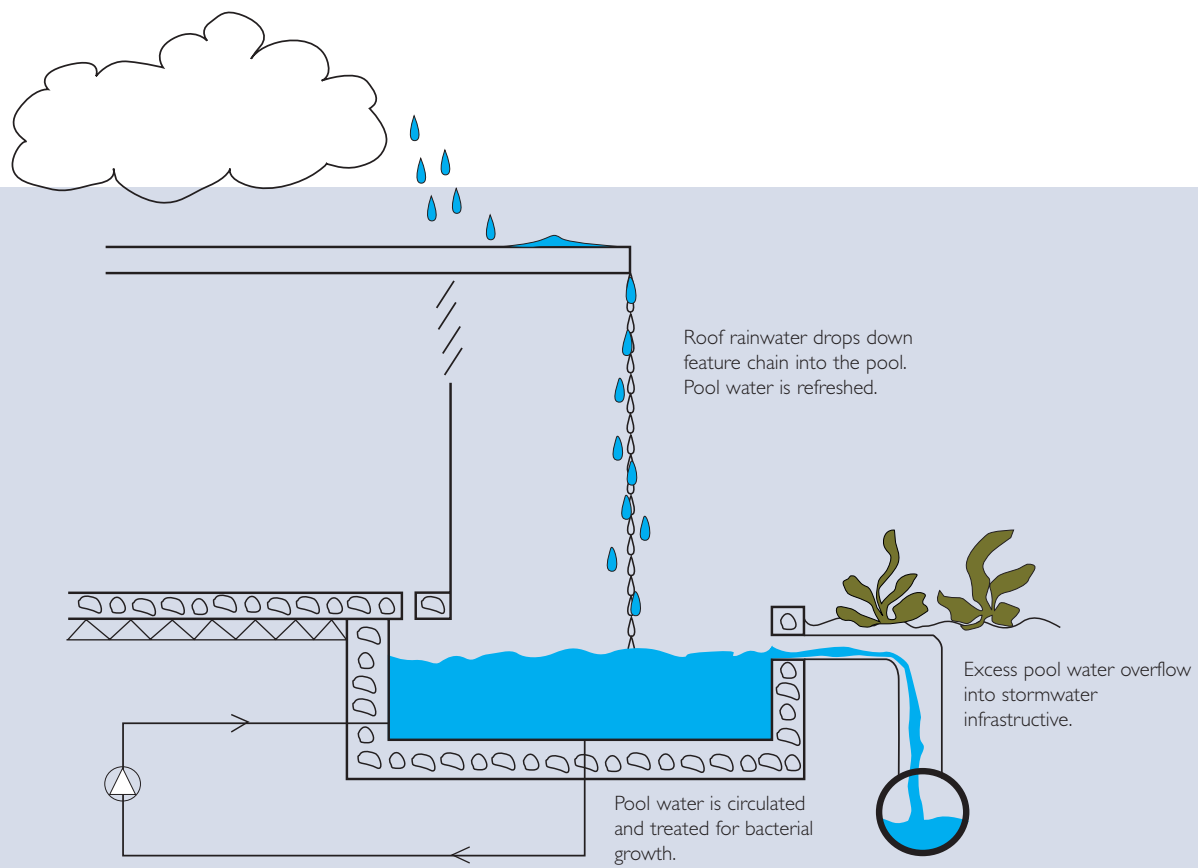


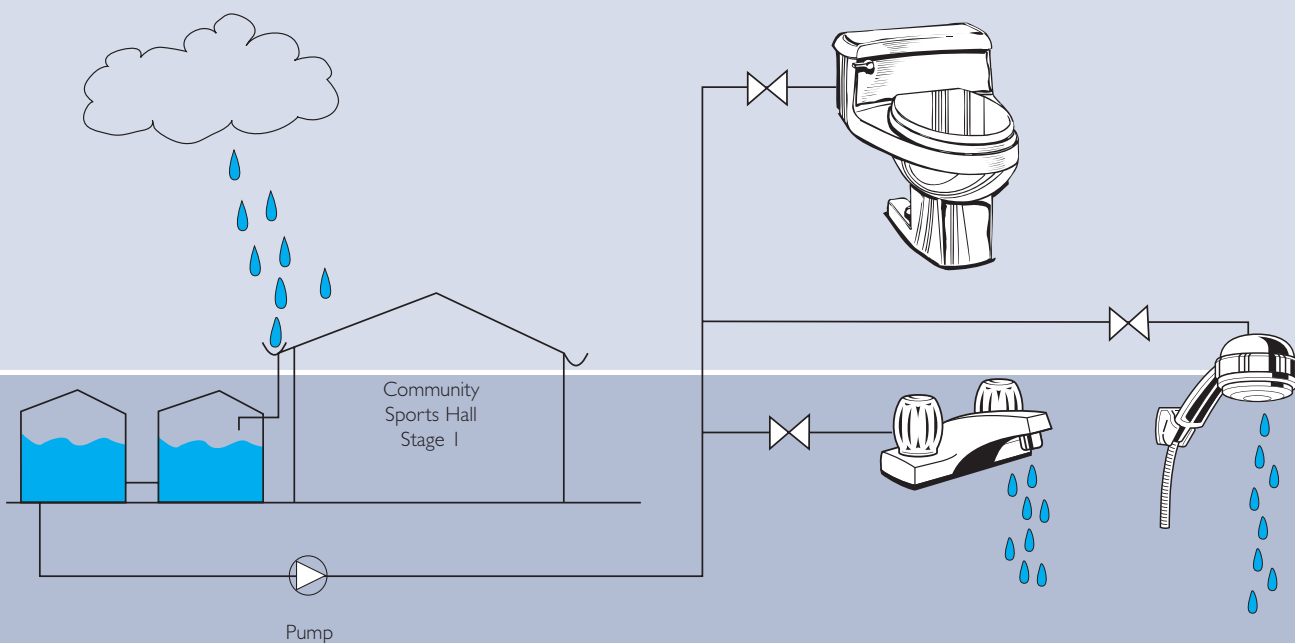
MASSEY LEISURE CENTRE and LIBRARY ECO INITIATIVES

RAINWATER SYSTEMS

Stormwater management, water conservation and education.



Water Feature and First Flush Treatment



Rainwater Collection System