

SEE SHIT 1
JOIN LINE 1

- KEY**
- DIRECTIONAL DRILLING (180mm PE80)
 - NEW SS PIPELINE (MICRO-TUNNELLING)
 - NEW SS PIPELINE (OPEN CUT)
 - ABANDONED EX. SS PIPE
 - MANHOLE TO BE REPAIRED
 - MANHOLE TO BE REPLACED
 - BURIED/NOT FOUND/NO ACCESS MANHOLE
 - NEW CONCRETE MANHOLE
 - NEW 600Ø PE MANHOLE
 - ⊗ MANHOLE TO BE ABANDONED
 - SPOT REPAIR
 - EXISTING SS MANHOLE

FOR TENDER

DATE	BY	REVISION
01/10	N. O'Han	
01/10	R. CRUZ	
01/10	Y. PENG	
01/10	EWG CHECK	
01/10	DESIGN CHECK	
01/10	CAD FILE	SS18694

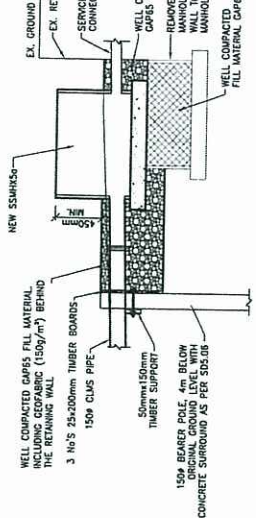
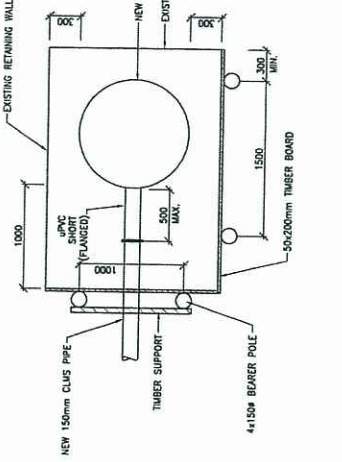
PROJECT MANAGER: *[Signature]*
ASSET MANAGER: *[Signature]*
PROJECT SERVICES: *[Signature]*

WAITAKERE CITY COUNCIL
POMARIA ROAD
WASTEWATER UPGRADE
PLAN & DETAILS

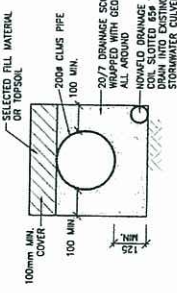
SCALE 1:1000
0m 10 20 30 40

ORIGINAL SCALE 1:500
SHEET DRAWING No. 2 OF 3
CONTRACT No. EW09003F
SHEETS

REVISION
16694
A1 ORIGINAL



PIPE BRIDGE 2 DETAILS
N.T.S.



PIPE BEDDING-PIPE BRIDGE 4
SCALE 1 : 10

